



KSI/...



Heat
Exchangers





KSI/...

> Heat Exchangers

Introduction

KSI is a heat exchanger for preheating of natural gas, town gas, air, propane and other not aggressive gases BEU type according to TEMA Code, with bundle fully removable*.

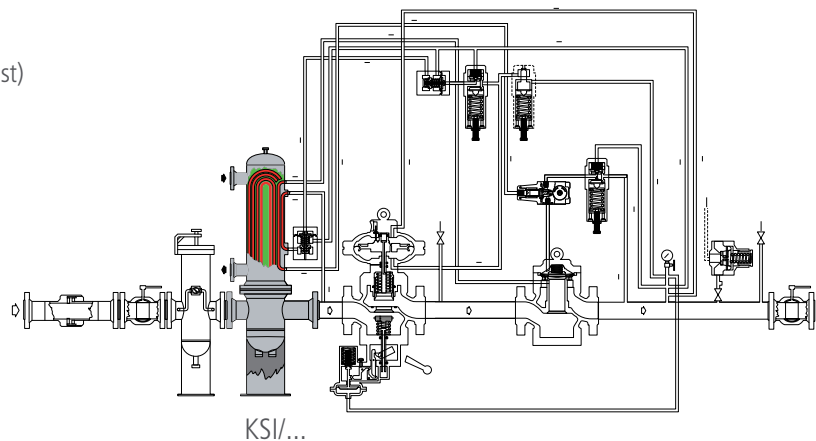
*not for KS/0,5

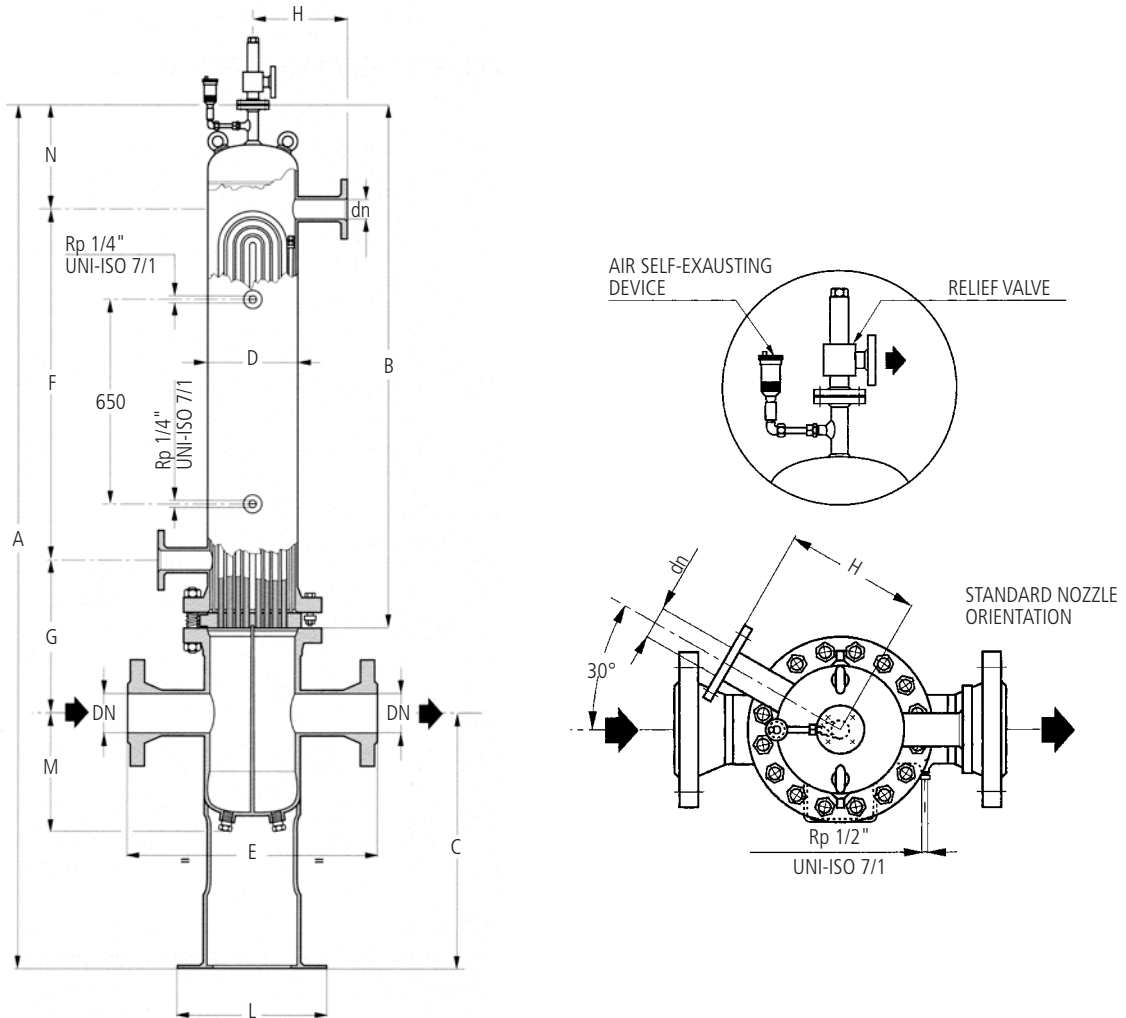
Main Features

- Heating fluid: hot and superheated water, steam
- Maximum working pressure: according to design conditions and code
- On request: design conditions as required by rating of ANSI B16.5 standard
- On request: same design pressure for both tube and shell side with, shut-off device, ball valves and pneumatic actuator
- Maximum working temperature: 100°C (up to 250°C for superheated water and steam)
- Gas nozzle connections ANSI 600-300
- Water nozzle connections PN 16, ANSI 150 (ANSI 300 or 600 on request)
- Screwed connections for condensate drain
- Screwed connections for relief valve on top shell side
- Flanged connection for relief valve on top shell side
- Double connections for pre-heating of gas on pressure regulators pilot loop

Available Equipments (upon request)

- Drain ball valves
- Pressure gauge
- Pressure switch
- Safety valve on tube side
- Safety valve on shell side
- Air self-exhausting device
- Inlet/Outlet gas temperature gauge





Overall dimensions in mm

Type	Nozzles Tube Side DN				Drain DN	Nozzles Shell Side DN	A	B	C	D	E	F	G	H	L	M	N	Heating Surface (sqm)	Weight Kg.	Volume (lt)	
	1"	1 1/2"	2"	3"																Shell Side	Tube Side
KS/0,5	1"	1 1/2"	/	/	Rp1/2"	40/50	2242	/	800	ø141,3	450	975	200	150	300	210	243	0,516	86	4,5	13,5
KSI/1	1 1/2"	2"	2 1/2"	3"	Rp1/2"	50	2404	1374	800	ø168,3	500	950	390	200	400	210	260	0,995	260	10	21
KSI/2	2"	2 1/2"	3"	4"	Rp1/2"	50	2530	1530	800	ø219,1	600	975	418	220	400	275	335	2,283	260	24	34
KSI/3	3"	4"	5"	6"	Rp1/2"	65	2720	1640	800	ø273	750	1100	460	300	425	370	323	4,353	350	48	57
KSI/4	4"	5"	6"	8"	Rp1/2"	80	2780	1690	800	ø323,8	800	1100	500	325	475	370	355	6,746	555	68	77
KSI/5	4"	5"	6"	8"	Rp1/2"	100	3040	1785	900	ø406,4	1000	1100	615	400	520	480	400	11,441	850	127	128
KSI/6	6"	8"	10"	/	Rp1"	125	3325	1946	1000	ø508	1100	1100	760	525	640	548	465	21,356	1800	210	250
KSI/7	8"	10"	12"	/	Rp1"	150	3550	2100	1000	ø609,6	1200	1100	810	600	640	700	540	31,900	2500	450	370



Pietro Fiorentini S.p.A.
via E.Fermi 8/10
I-36057 Arcugnano (VI)
Italy

via Rosellini 1
I-20124 Milano
Italy

Tel. +39 0444 968.511
Fax. +39 0444 960.468

Tel. +39 02 696.14.21
Fax. +39 02 688.04.57

www.fiorentini.com

The data are not binding. We reserve the right to make eventual changes without prior notice.

CT-s511-E May 2007